

# ICC BMW 100

Technical Sheet

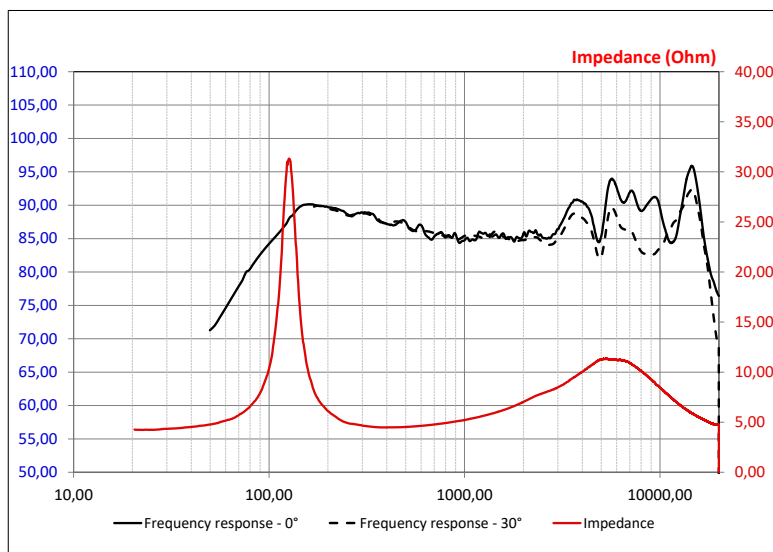
## Woofer



## SPECIFICATIONS

Nominal power	40 W
Maximum power	80 W
Sensitivity	89.5 dB
Nom. impedance	4 $\Omega$
Cone	Polyglass
Surround	Butyl
DC resistance	4 $\Omega$
VC diameter	25 mm 1"
Former	Kapton
Layers	2
Wire	Copper
Net weight	400 g 0.88lb
Frequency response	90-23000 Hz
Crossover	6 dB/Oct @4 kHz

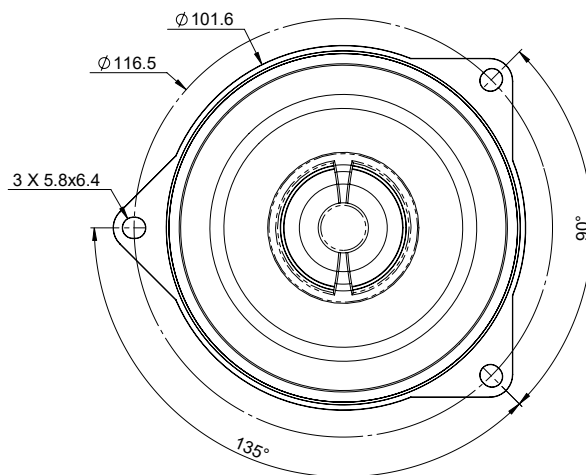
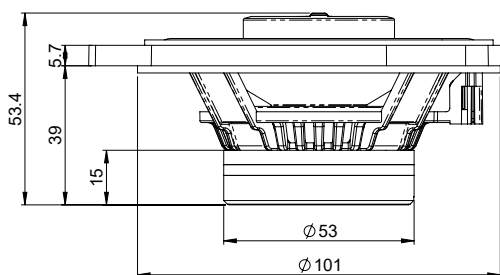
## FREQUENCY RESPONSE/IMPEDANCE



## PARAMETERS

Rdc	4 $\Omega$
Fs	130 Hz
Mms	4.5 g
Cms	0.3 mm/N
Vas	1 l
Qts	0.9
Qes	1.1
Qms	8
Bxl	4 N/A
Sd	50.7 cm <sup>2</sup>
SPL	89.5 dB
Xmax	2 mm

## MECHANICAL DRAWING



FOCAL® INSIDE

Focal® is a trademark of Focal-JMLab® - [www.focal.com](http://www.focal.com) - SCAA190920/1

 **FOCAL**  
LISTEN BEYOND