

# ISUB BMW 2

## Technical Sheet

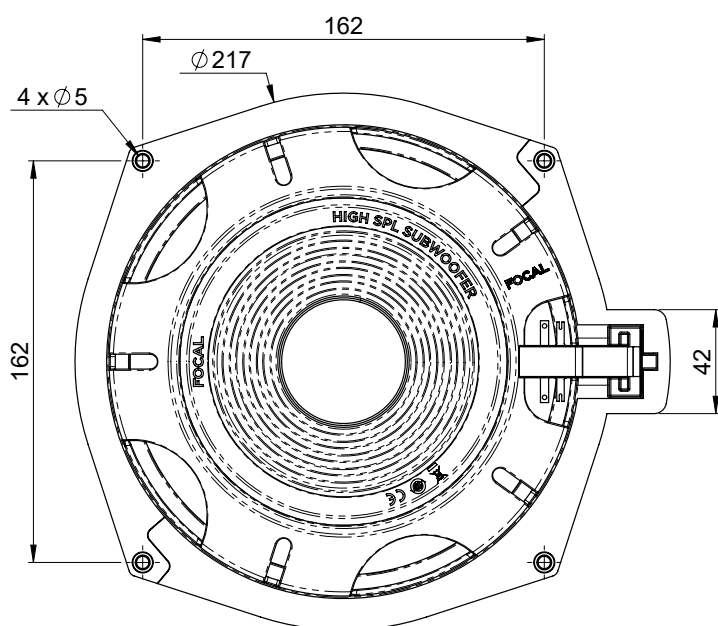
### Subwoofer



### SPECIFICATIONS

Nominal power	90 W
Maximum power	180 W
Sensitivity	86 dB
Nom. impedance	2 Ω
Cone	Paper
Surround	Butyl
DC resistance	2 Ω
VC diameter	50mm 2"
Former	Aluminium
Layers	2
Wire	Copper
Net weight	970g 2.14lbs
Frequency reponse	35-200 Hz

### MECHANICAL DRAWING



### PARAMETERS

Rdc	2 Ω
Fs	45 Hz
Mms	45 g
Cms	0.32 mm/N
Vas	20 l
Qts	0.9
Qes	1
Qms	5
Bxl	4.5 N/A
Sd	213 cm
SPL	83 dB
Xmax	6.5 mm

**FOCAL**® INSIDE

Focal® is a trademark of Focal-JMLab® - [www.focal.com](http://www.focal.com) - SCAA190919/1

**FOCAL**®  
LISTEN BEYOND